

90W/60W 802.3bt PoE Injector

WI-POE58-BT | WI-POE58-BT-I-DC |
WI-POE55-48V-60W | WI-POE56-60W-I-O



Overview

Wi-Tek PoE Injector complies with IEEE 802.3af/at/bt standards with up to 60W/90W power supply.

The higher power supply can meet the power demand in large network topologies, allowing customers to reduce power supply anxiety when deploying in the field. Among them, WI-POE56-60W-I-O, WI-POE58-BT-I-DC, WI-POE55-48V-60W uses a robust metal case to greatly increase product life and is suitable for outdoor/industrial scenarios.

Features

High power POE output

WI-POE58-BT, WI-POE58-BT-I-DC can supply up to 90W power, WI-POE55-48V-60W and WI-POE56-60W-I-O can supply up to 60W power. They extend our network to places where there is no power supply or outlet.

Compact size

Compact design for space efficiency and convenience.

Plug and Play Installation Mode, No Configuration is Required

Easy to install, simply connect the injectors to an Ethernet switch and to the IP-based PoE device to provide power and data for the network. The compact and lightweight design is easy to install and facilitates deployment of PoE devices with no power outlet requirement. All PoE injectors have overload and short circuit protection, which shuts down the power immediately if those issues prevail, leaving no damage to your equipment.

Specifications

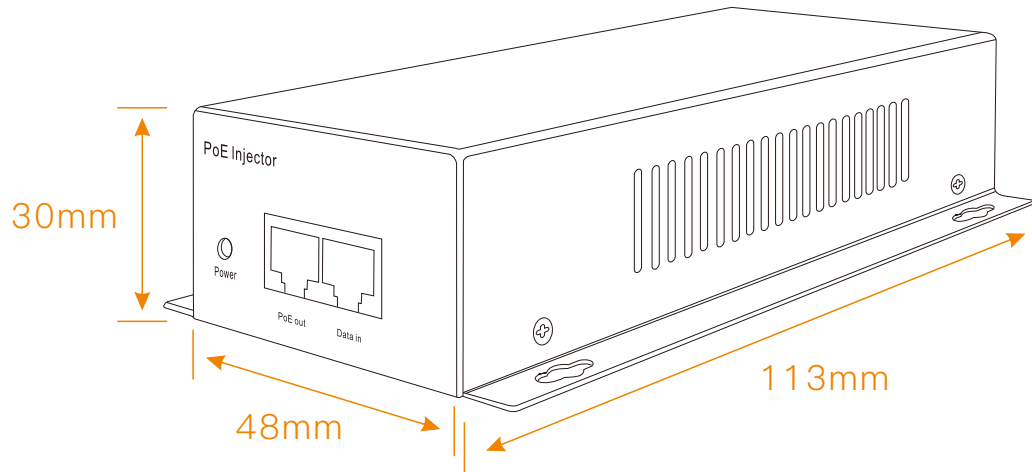


Model	WI-POE58-BT	WI-POE58-BT-I-DC	WI-POE55-48V-60W	WI-POE56-60W-I-O
Hardware Specifications				
Hardware Version	V1	V1	V1	V1
Interfaces				
Interfaces	1 100/1000Mbps PoE RJ45 Port 1 100/1000Mbps Ethernet Port			
PoE				
PoE Standard	802.3 af/at/bt(90W)		802.3 af/at/bt (60W)	
PoE Power Supply Type	Mid-span and End-span			
PoE Pin Assignment	1/2(+), 3/6(-) or 4/5(+), 7/8(-)			
PoE Power Budget	90W Max		60W Max	
Power Supply				
Input Power	AC 100-240V 50/60Hz 2.1A Max	DC 12-57V 10A Max	AC 100-240V 50/60Hz 0.8A Max	DC 24-56V 3A Max
Power Consumption	Idle: 2 W	Idle: 1W	Idle: 1W	Idle: 3 W
Physical Characteristics				
LED Indicators	<p>Power</p> <p>On: the device power on is normal</p> <p>Off: the device is power off or failed</p>	<p>PW</p> <p>On: the device power on is normal</p> <p>Off: the device is power off or failed</p> <p>48V</p> <p>On: 48V PoE Powered device input</p> <p>Off: no 48V input</p> <p>AF</p> <p>On: IEEE802.3af input</p>	<p>Power</p> <p>On: the device power on is normal</p> <p>Off: the device is power off or failed</p>	<p>Power</p> <p>On: the device power on is normal</p> <p>Off: the device is power off or failed</p> <p>POE</p> <p>Green: It is currently in 802.3bt PoE mode and PD connection is successful.</p> <p>Orange: It is currently in UPoE mode and PD</p>

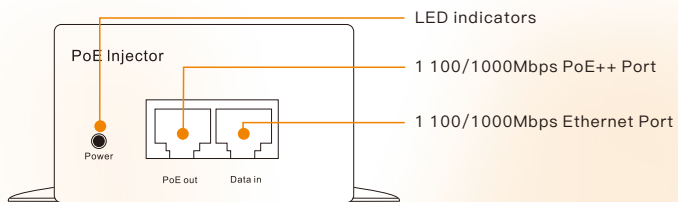
		<p>Off: no IEEE802.3af input</p> <p>AT</p> <p>On: IEEE802.3at input Off: no IEEE802.3at input</p> <p>Hi-PoE</p> <p>On: Hi-PoE 60W input Off: no Hi-PoE 60W input</p> <p>BT</p> <p>On: IEEE802.3af/at/bt 90W input Off: no IEEE802.3af/at/bt 90W input</p>		connection is successful.	
Fan Quantity	Fanless				
Injector Dimension	182*92*41 mm	115*99*30 mm	120*58*39 mm	150*72*46 mm	
Package Dimension	247*192*61 mm	203*132*42 mm	250*131*42 mm	242*182*84 mm	
Weight	Net Weight: 0.49 kg	Net Weight: 0.33 kg	Net Weight: 0.22 kg	Net Weight: 0.47 kg	
	Package Weight: 0.77 kg	Package Weight: 0.44 kg	Package Weight: 0.46 kg	Package Weight: 0.86 kg	
Installation	Wall-Mounted, Desktop	Wall-Mounted, Desktop, Din-rail	Desktop	Wall-Mounted, Desktop	
Environmental					
Reliability	Surge Immunity	IEC 61000-4-5 Common mode 6kV Differential mode 2kV	IEC 61000-4-5 Common mode 6kV Differential mode 6kV	IEC 61000-4-5 Common mode 3kV Differential mode 2kV	IEC 61000-4-5 Common mode 6kV Differential mode 2kV
	ESD Protection	IEC 61000-4-2 Contact discharge 6kV Air discharge 8kV	IEC 61000-4-2 Contact discharge 6kV Air discharge 10kV	IEC 61000-4-2 Contact discharge 6kV Air discharge 8kV	IEC 61000-4-2 Contact discharge 8kV Air discharge 10kV
Operating Temperature	-10 to 50°C	-40°C to 75°C		-20°C to 60°C	
Operating Humidity	10% ~ 90% RH no condensation	5% ~ 90% RH no condensation		10% ~ 90% non-condensing	
Storage Temperature	-40°C to 85°C				
Storage Humidity	5% ~ 95% RH no condensation	5% ~ 95% RH no condensation		5% ~ 90% RH non-condensing	
Others					
Certification	CE, FCC, RoHS, UKCA, RCM				

WI-POE58-BT

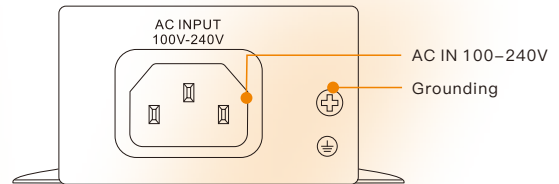
Dimensions (mm)



Front Panel

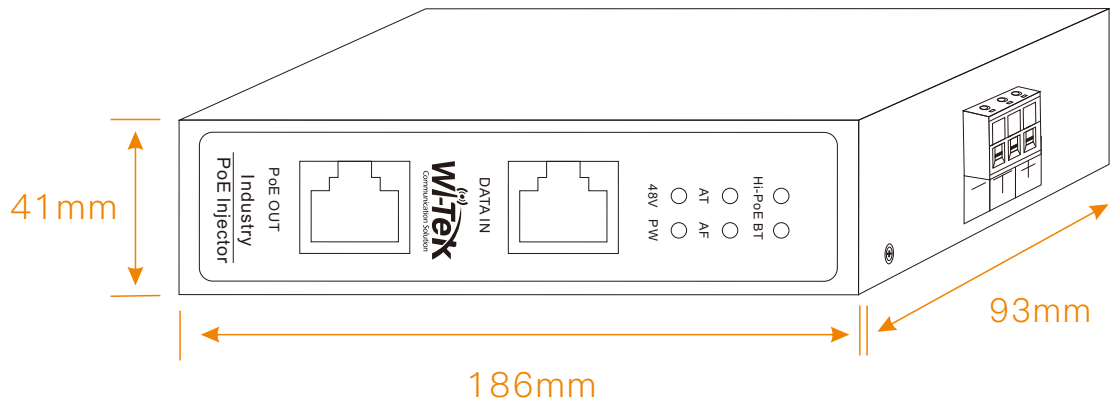


Side Panel

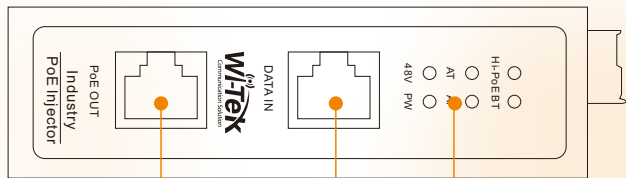


WI-POE58-BT-I-DC

Dimensions (mm)



Front Panel

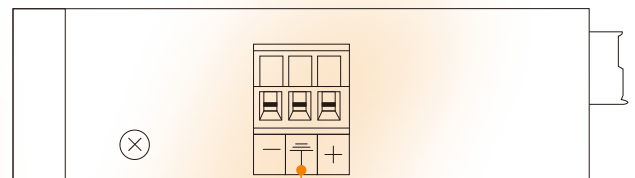


1 100/1000Mbps PoE++ Port

LED indicators

1 100/1000Mbps Ethernet Port

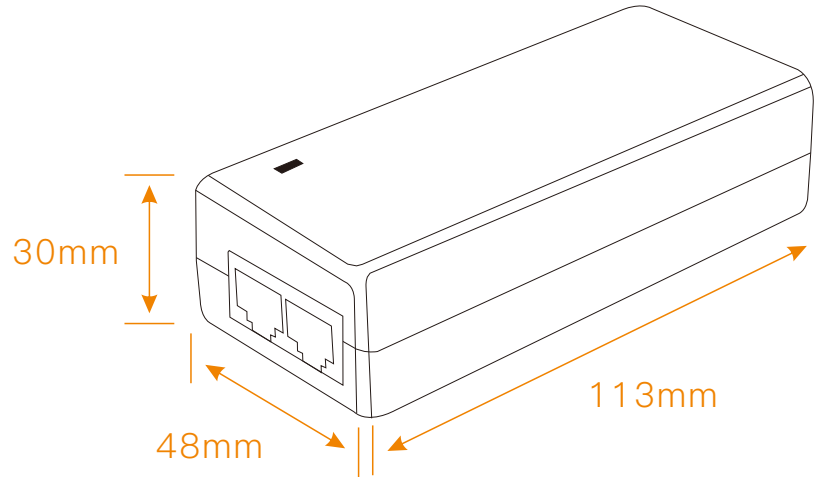
Side Panel



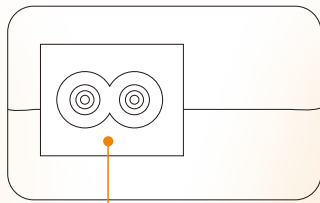
DC IN

WI-POE55-48V-60W

Dimensions (mm)

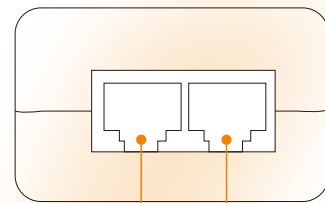


Front Panel



AC IN 100-240V

Side Panel

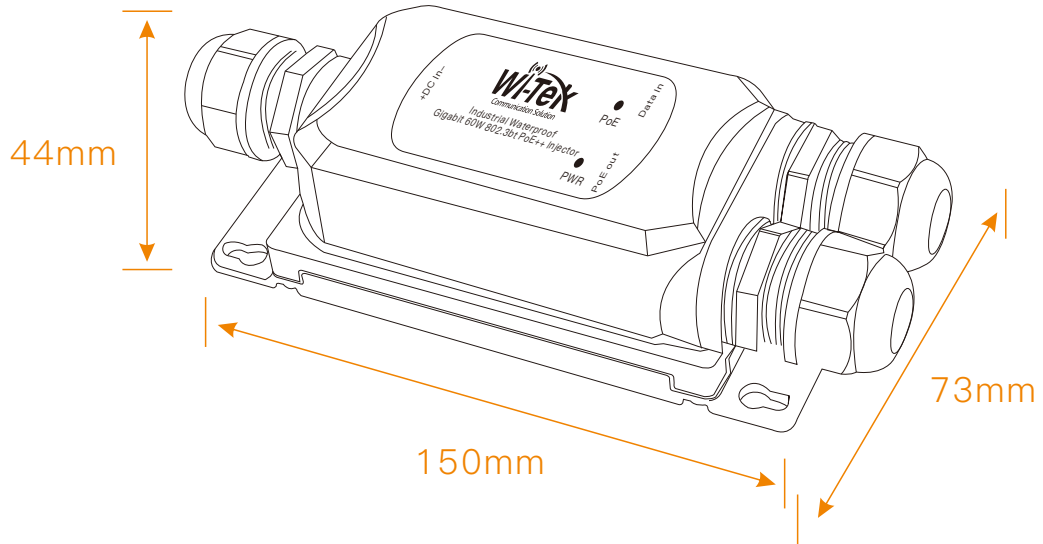


1 100/1000Mbps Hi-PoE Port

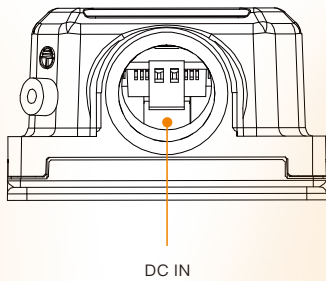
1 100/1000Mbps Ethernet Port

WI-POE56-60W-I-O

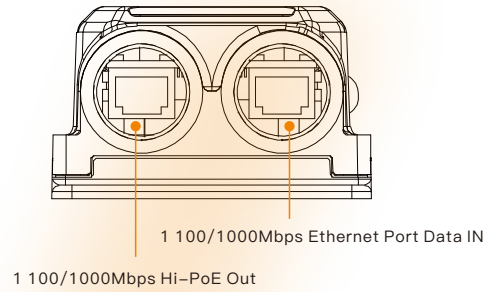
Dimensions (mm)



Front Panel



Side Panel



Package Contents

Welcome to order our products. After purchasing, you will receive:

WI-POE58-BT | WI-POE55-48V-60W

Items	Quantity
PoE Injector	1 pcs
Power cord	1 pcs
Quick Installation Guide	1 pcs

WI-POE58-BT-I-DC

Items	Quantity
PoE Injector	1 pcs
Wall-mount Kit	1 pcs
screw driver	1 pcs
Quick Installation Guide	1 pcs

WI-POE56-60W-I-0

Items	Quantity
PoE Injector	1 pcs
M22 Waterproof Gland	3 pcs
Wrench	1 pcs
Ground Wire	1 pcs
Quick Installation Guide	1 pcs



Wireless-Tek Technology Limited
 Address: Biaofan Technology Building 402, Bao'an street,
 Baoan District, Shenzhen City, Guangdong, China
 Website: www.wireless-tek.com
 Tel: 86-0755-32811290
 Email: sales@wireless-tek.com
 Technical Support: tech@wireless-tek.com



Technical Support



Cloud Management



Company Website