

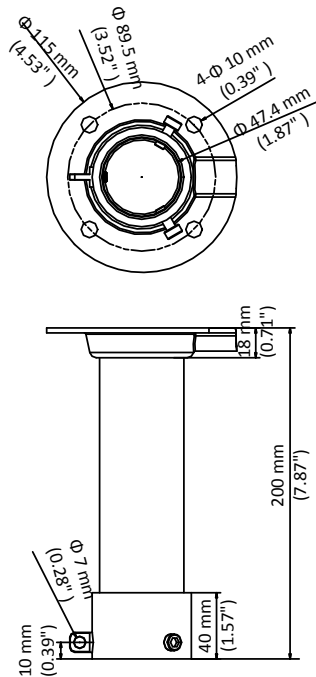
DS-1668ZJ(20)

Pendant Mounting Bracket for PanoVu

Feature

- Zinc-coated steel with surface spray treatment
- The hook for safety rope facilitates camera's installation

Dimension



Available Model

DS-1668ZJ(20)

Parameter

Model	DS-1668ZJ(20)
Parameters	Pendant Mounting Bracket for PanoVu
Appearance	Hikvision White
Material	Steel
Dimension	Φ 115 mm × 200 mm (4.53" × 7.87")
Weight	1150 g (2.54 lb.)

Note

- The bracket should be installed on the flat surface.
- The waterproof rubber is necessary for the outdoor application.
- The wall must be capable of supporting at least 3 times as much as the total weight of the camera and the bracket.
- The bracket's maximum load capacity is 20 Kg (44 lb.).